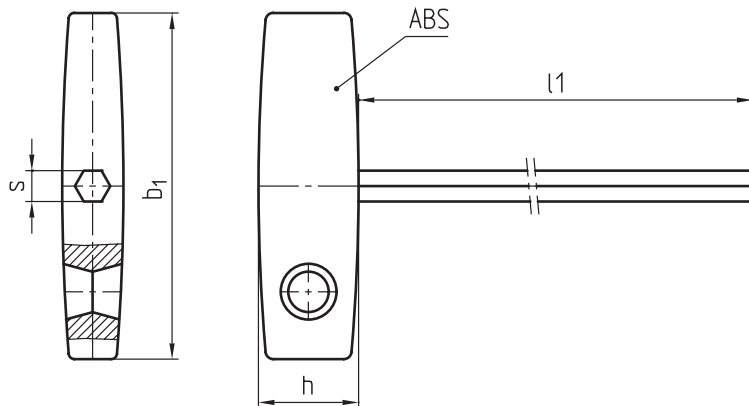


A 5055/...

Mat.: Chrom-Vanadium Stahl
 Chrome Vanadium steel
 Acier au chrome-vanadium

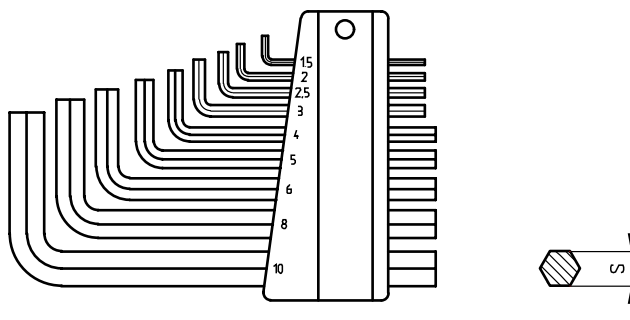
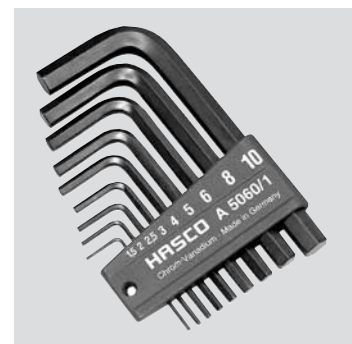


b ₁	h	s	l ₁	Nr./No.
70	21	2,5	63	A5055/2,5x 63
			80	2,5x 80
		3		3 x 80
			125	3 x 125
		4	100	4 x 100
			150	4 x 150

b ₁	h	s	l ₁	Nr./No.
90	26	5	100	A5055/5x100
			150	5x150
		6	100	6x100
			150	6x150
			200	6x200
		8	100	8x100
			200	8x200
			350	8x350

A 5060/...

Mat.: Chrom-Vanadium Stahl
 Chrome Vanadium steel
 Acier au chrome-vanadium



Inhalt/Schlüsselweite S Contents/width across flats S Contenu/tailles S	Typ	Nr./No.
1,5; 2; 2,5; 3; 4; 5; 6; 8; 10 mm	1	A5060/1